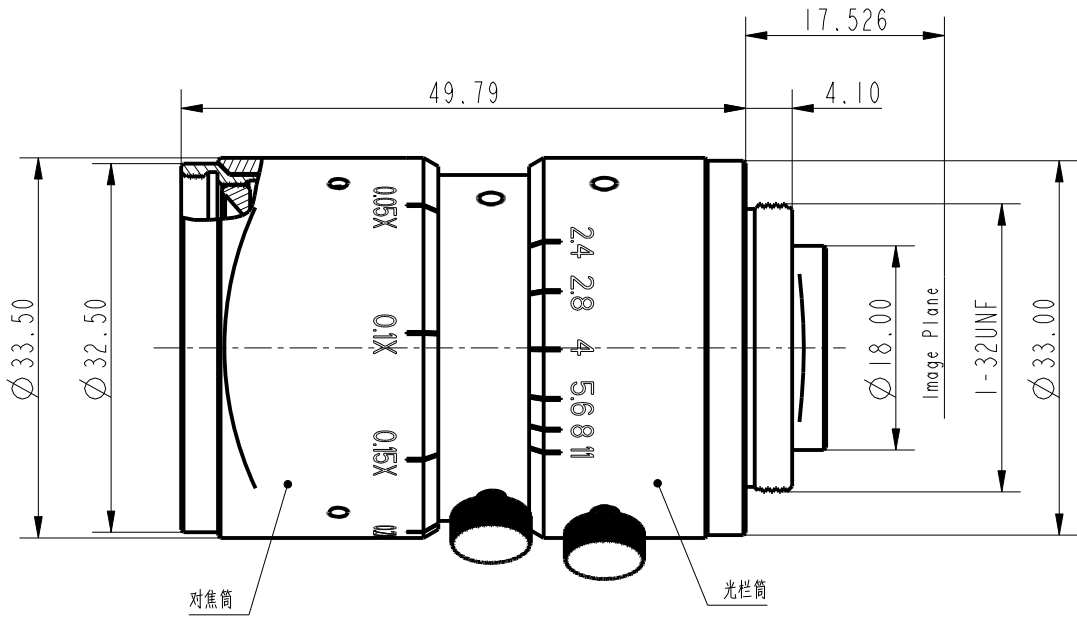



HR5M08C-SPEC



2/3" F2.4 C-MOUNT

Working distance Optical Magnification Field of view(mm)

EFFL(Effective Focal Length)	f=8mm	mm		H	V
F/NO	F=2.4-11	500	0.016X	561.6	421.5
Image Size	2/3"(11mm×8.8mm×6.6mm)	475	0.017X	534.2	401
Angle FOV	H 57.4°	450	0.018X	506.9	380.4
	V 45°	425	0.019X	479.5	359.8
	D 68.1°	400	0.02X	452.1	339.2
Object Dimension at WD.	H 342.5mm	375	0.021X	424.7	318.7
	V 257mm	350	0.022X	397.3	298.1
	D 423.1mm	325	0.024X	369.9	277.5
Distortion(TV)	<-1.1%	300	0.026X	342.5	257
Focus distance(min)	0.02m	275	0.028X	315.1	236.4
TTL(Total Length)	63.76mm	250	0.031X	287.7	215.8
FBL(Flange Back Length)	17.526mm	225	0.034X	260.3	195.2
BFL(Back Focal Length)	12.40mm-14.68mm	200	0.038X	232.9	174.6
Filter screw size	M30.5×P0.5	175	0.043X	205.5	154.1
Front/Rear Effective Dia	Front∅22.35mm Rear∅12mm	150	0.05X	178.1	133.5
Relative illumination	>78.3%	125	0.059X	150.7	112.9
Chief ray angle	<6.6°	100	0.072X	122.3	92.4
Mount	C-Mount	75	0.093X	95.9	71.8
Operating Temperature	-20~+80°C	50	0.13X	68.5	51.2
Storage Temperature	-20~+80°C	25	0.22X	41.1	30.6

 江西高端光电股份有限公司

比例	3:2		页码	1/1
重量	(g)	材料		
名称	HR5M08C规格书		REV.	
编号	HR5M08C-SPEC		A0	

标记	处数	区域	更改内容	担当	时间
承认	审核	工艺	设计	时间	