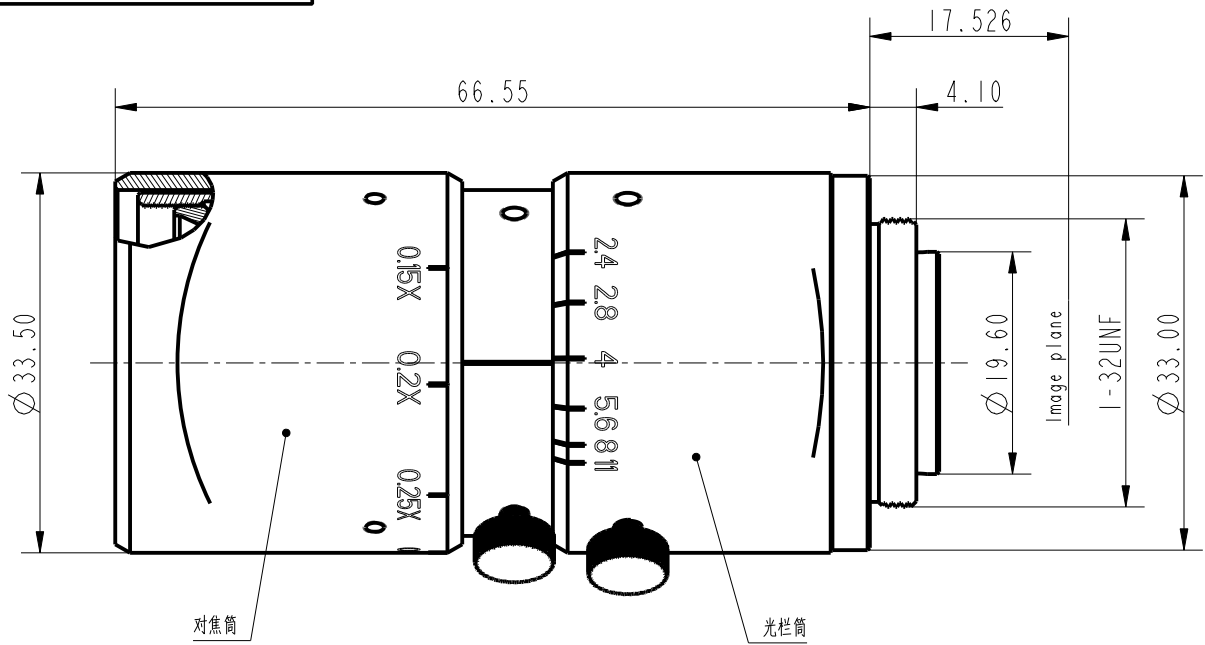


HR5M75A-SPEC



2/3" F2.4 C-MOUNT

Working distance      Optical Magnification      2/3" Field of view(mm)

EFFL(Effective Focal Length)	f=75mm	mm		H	V
F/NO	F=2.4-11	500	0.15X	57.7	43.4
Image Size	2/3"(11mmx8.8mmx6.6mm)	475	0.16X	54.8	41.2
Angle FOV	H	4.9°	450	0.169X	51.9
	V	3.6°	435	0.175X	39
	D	6.1°	420	0.181X	37.6
Object Dimension at WD.250mm	H	28.6mm	405	0.188X	48.4
	V	21.5mm	390	0.195X	36.4
	D	35.8mm	375	0.2X	46.7
Distortion(TV)	<0.13%	360	0.21X	44.9	35
Focus distance(min)	0.195m	345	0.22X	43.2	32.4
TTL(Total Length)	90.204mm	330	0.23X	41.4	31.1
FBL(Flange Back Length)	17.526mm	315	0.24X	39.7	29.8
BFL(Back Focal Length)	21.65mm-39.97mm	300	0.255X	37.9	28.5
Filter screw size	M28xP0.5	285	0.27X	36.2	27.2
Front/Rear Effective Dia	Front $\varnothing$ 24.1mm Rear $\varnothing$ 16.1mm	270	0.28X	34.4	25.8
Relative illumination	>79.7%	250	0.3X	32.7	24.5
Chief ray angle	<2.6°	240	0.32X	30.9	23.2
Mount	C-MOUNT	225	0.34X	28.6	21.5
Operating Temperature	-20~+80°C	210	0.37X	27.4	20.6
Storage Temperature	-20~+80°C	195	0.4X	25.7	19.3



江西高瑞光电股份有限公司

比例 1:1      页码 1/1

重量 (g) 材料

标记	处数	区域	更改内容	担当	时间
承认	审核	工艺	设计	时间	

名称 HR5M75A规格书 REV.

编号 HR5M75A-SPEC A0