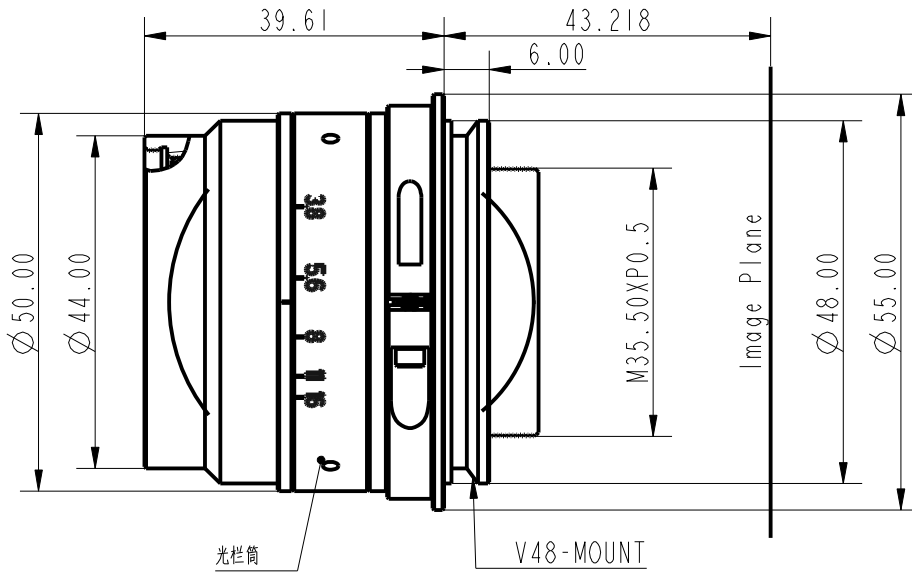



HR10M60A-SPEC



60mm F3.8 V48-MOUNT

		Working distance	optical magnification	60mm Field of view(mm)	
EFFL(Effective Focal Length)	f=60mm	mm		H	V
F/NO	F=3.8-11	1180	0.052X	919.65	689.74
Image Size	∅62.5mm	1130	0.054X	879.76	659.82
Angle Fov	H 37.17°	1080	0.057X	839.87	629.90
	V 28.40°	1030	0.060X	799.98	599.98
	D 45.4°	980	0.063X	760.08	570.06
Object Dimension at WD.380mm	H 281.11mm	930	0.067X	720.19	540.14
	V 210.83mm	880	0.071X	680.29	510.22
	D 351.38mm	830	0.075X	640.39	480.29
Distortion(TV)	<-0.48%	780	0.080X	600.49	450.37
Focus distance(min)	0.33m	730	0.086X	560.59	420.44
TTL(Total Length)	89.75mm	680	0.092X	520.68	390.51
FBL(Flange Back Length)	46.5mm	630	0.100X	480.77	360.58
BFL(Back Focal length)	31.28mm -43.18mm	580	0.109X	440.86	330.65
Filter screw size	M40.5XP0.5	530	0.120X	400.93	300.70
Front/Rear Effective Dia	Front28.75∅mm Rear27.40∅mm	480	0.133X	361.01	270.76
Mount	V48-Mount	430	0.150X	321.06	240.79
Operating Temperature	-20°C~+80°C	380	0.171X	281.11	210.83
Storage Temperature	-20°C~+80°C	330	0.200X	241.14	180.85

 江西高端光电股份有限公司

比例 1:1   页码 1/1

重量 (g) 材料

标记	处数	区域	更改内容	担当	时间
承认		审核	工艺	设计	时间

名称 HR10M60A规格书 REV.

编号 HR10M60A-SPEC A0