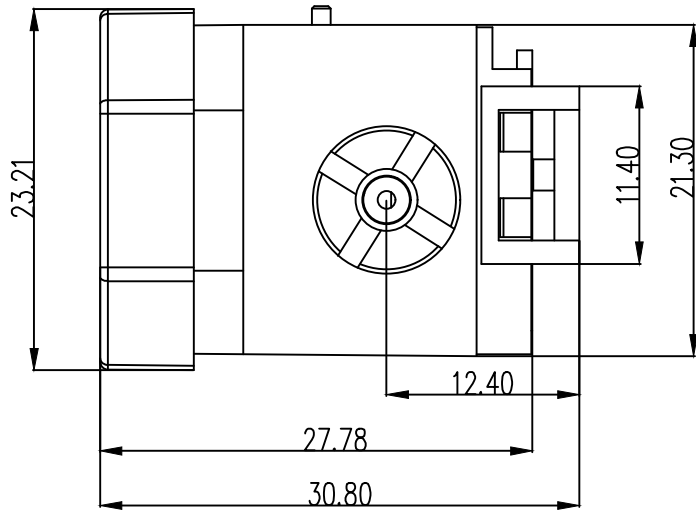


ZM14-SPEC



### Lens Specification

NO	SPECIFICATIONS		PARAMETER
1	Model Name		ZM14
2	Sensor		5.15mm(D)•4.12mm(H)•3.09mm(V)
3	Pixel Size		/
4	Image Circle(Max.)		5.15mm
5	EFFL(Effective Focal Length)		18.17mm
6	Exit Pupil Diameter		∅7
7	Exit Pupil Position		20mm
8	FBL(Flange Back Length)		3.7mm
9	BFL(Back Focal Length)		10.05mm
10	View Angle	Diagonal	32~(2Y=5.15mm)
		Horizontal	25.9~(2Y=4.12mm)
		Vertical	19.4~(2Y=3.09mm)
11	MTF 100lp/mm(T/S)	Center	82.5%@T,82.5%@S
		0.3Field	73.2%@T,75.5%@S
		0.7Field	56.6%@T,37.9%@S
		1.0Field	23.5%@T,27.8%@S
12	Distortion	Optical	<-1.18%
		TV(Trad.)	/
13	Relative Illumination	1.0Field	>80.5%
14	Chief Ray Angle(Max.)		<1.2°
15	Lateral Color(Max.)		9.83 μm
16	Multiplying Power		13.8X
17	Object Distance		Inf
18	Therad		M35•P0.75mm
19	Operating Temperature		-20~+80°C
20	Storage Temperature		-20~+80°C



江西高瑞光电股份有限公司

比例 2:1 页码 1/1

文件编号

材料

名称

编号

ZM14-规格书

ZM14-SPEC

记号	更改内容		担当	时间
承认	检图	制图	社内版次	AO
			客户版次	