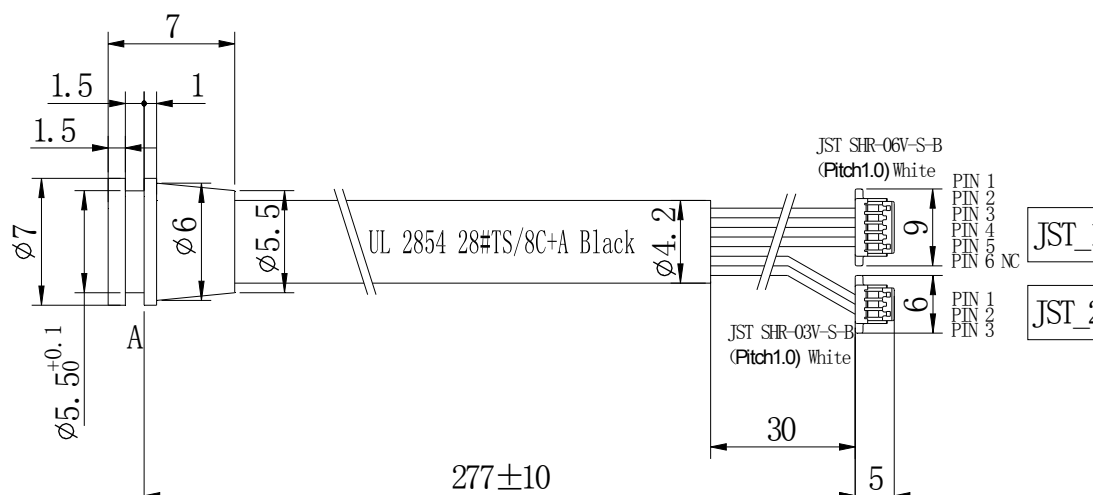
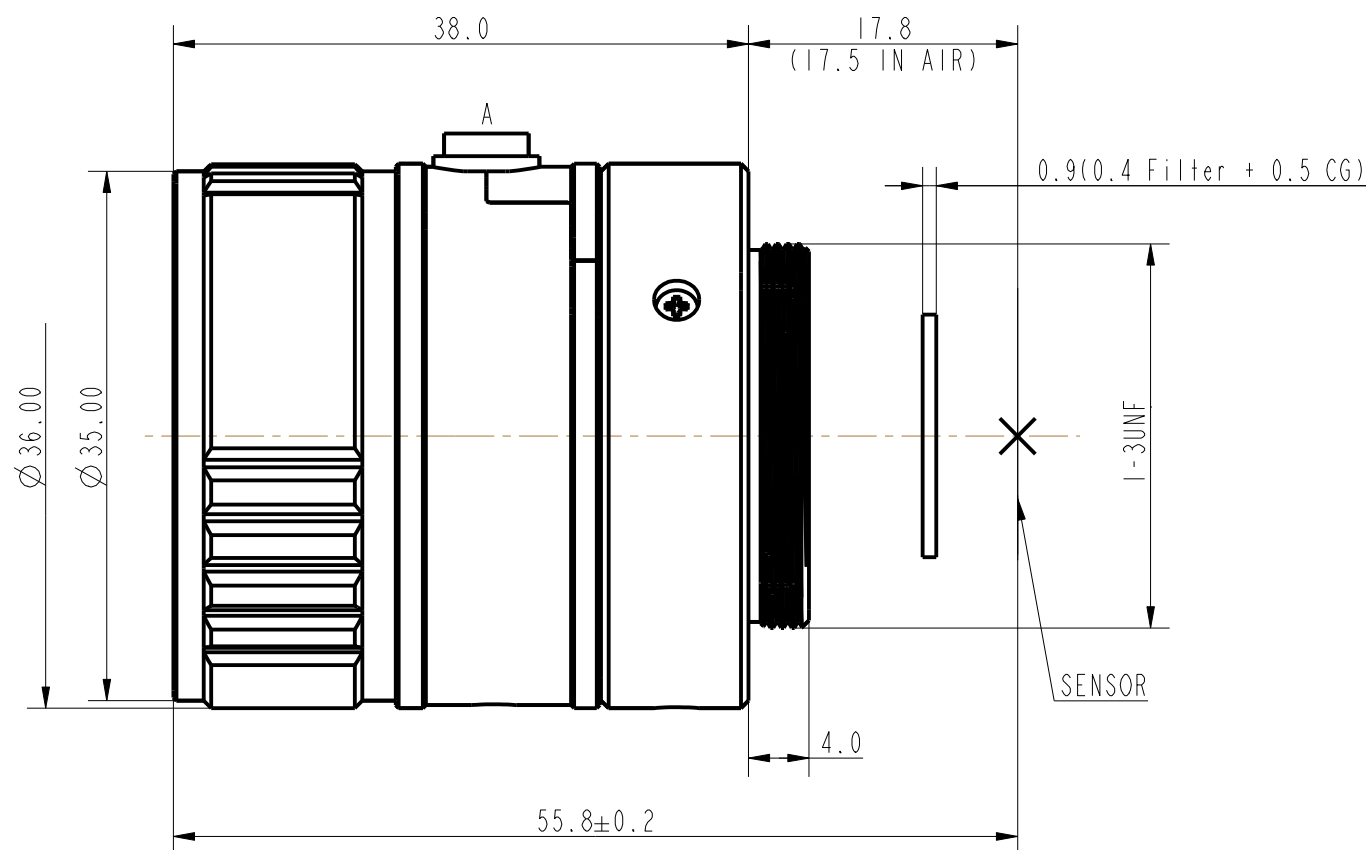


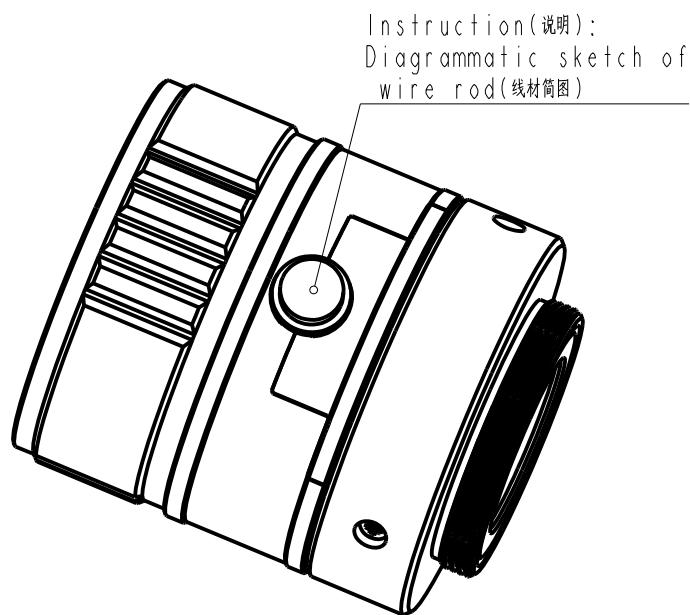
# LVI6A-0100 SPECIFICATION

NO	ITEM	CONTENT
1	SENSOR	2/3" & CMOS
2	SENSOR SIZE	4.22mm(H)x3.53mm(V)x5.5mm(D)
3	STRUCTURE	7 Glass
4	TOTAL LENGTH	55.84±0.2mm(Including 0.4mm Filter & 0.5mm Cover Glass)
5	E.F.L	16mm±5%
6	B.F.L	13.949mm(INFINITY)
		14.208mm(1m)
7	F.B.L	13.485mm(INFINITY)
		13.744mm(1m)
8	F/No.	2.8±5%
9	FOV	VERTICAL 25° (V=3.53mm)
		HORIZONTAL 29.6° (H=4.22mm)
		DIAGONAL 38° (D=5.5mm)
10	OPTICAL DISTORTION	<0.2% (Absolute)
11	TV DISTORTION	<0.1% (Absolute)
12	RELATIVE ILLUMINATION	>96.7%
13	MAX IMAGE CIRCLE	∅11.4mm
14	THERAD	C (1-32UNF)
15	CHIEF RAY ANGLE	0°



Drawing of wire(线材图)  
A at the left and A at the line is the same place  
(左端面A处与镜头上A处为同一处)

未注公差要求:  
1: <3.00 ±0.03;  
2: >3.00 ±0.05;



Instruction(说明):  
Diagrammatic sketch of wire rod(线材筒图)

注:法令、法规禁止物质使用不可;含有与ROHS及REACH指令抵触物质使用不可。

					<b>江西高瑞光电股份有限公司</b>		
		Update the wire drawing		2016.01.28			
		First Edition		2016.01.21			
Mark (标记)	Number (处数)	Position (区域)	Changes (更改内容)	Undertake (担当)	Time (时间)	Scale (比例)	2:1
Admit (承认)	Review (审核)	Design (设计)	Drafting (制图)	Model No. (机种编号)		Page (页码)	
				LV16A		LV16A-0100	
						A1	